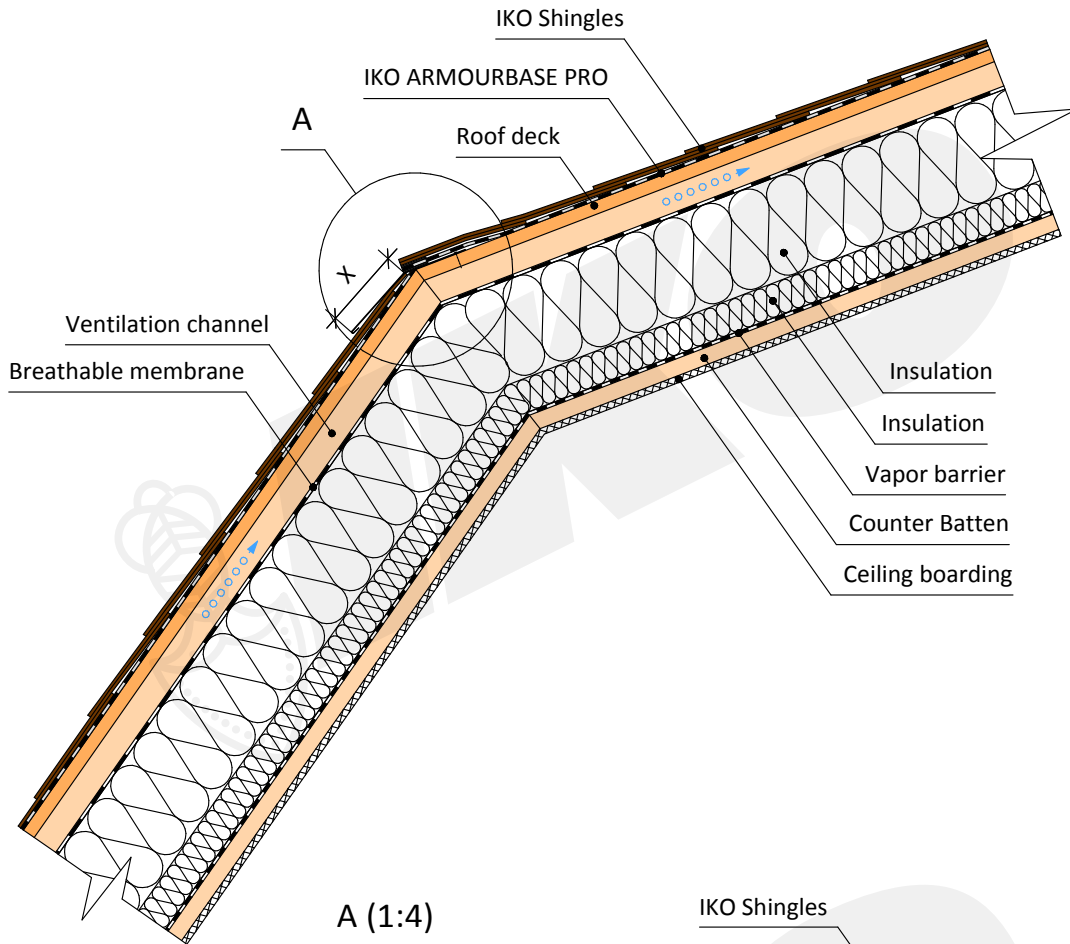
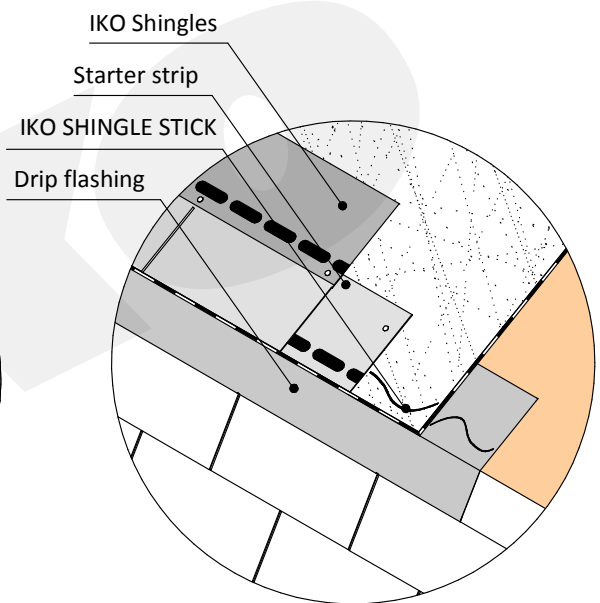
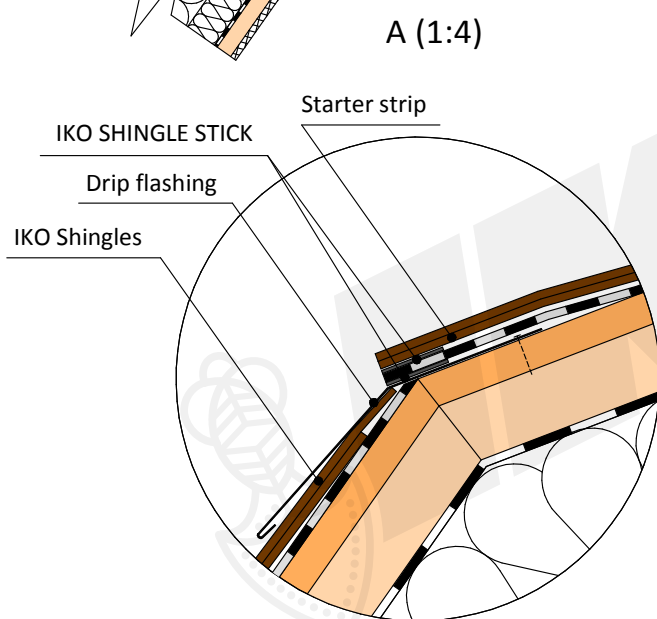


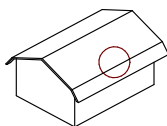
12.1 Mansard roof. Insulated



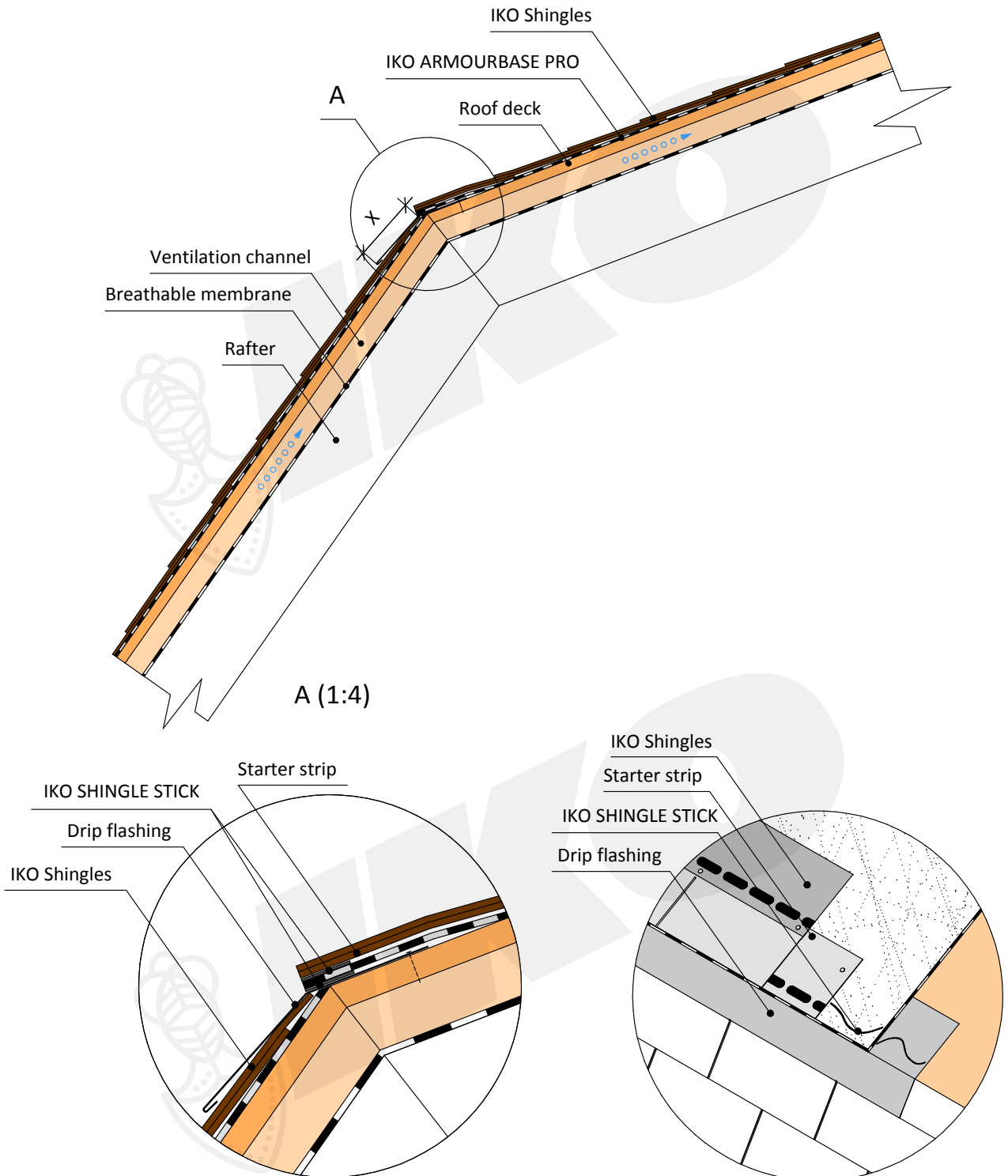
A (1:4)



X - min 120, should be enlarge with a decreasing angle of a slope and/or requirements of local codes

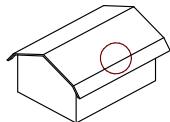
<p>MANSARD ROOF. INSULATED</p>		<p>DESIGN SCALE 1:10</p>	
------------------------------------	---	--------------------------	--

12.2 Change in a roof slope

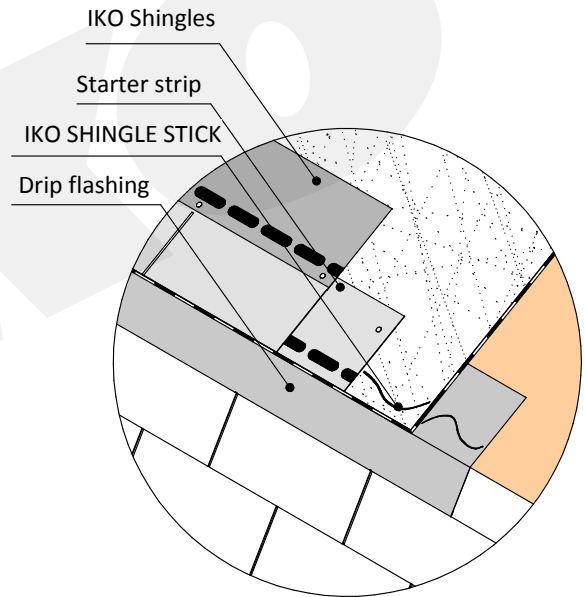
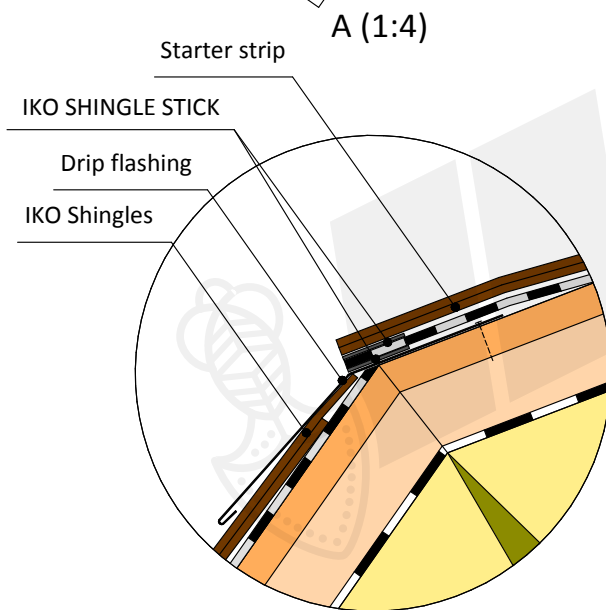
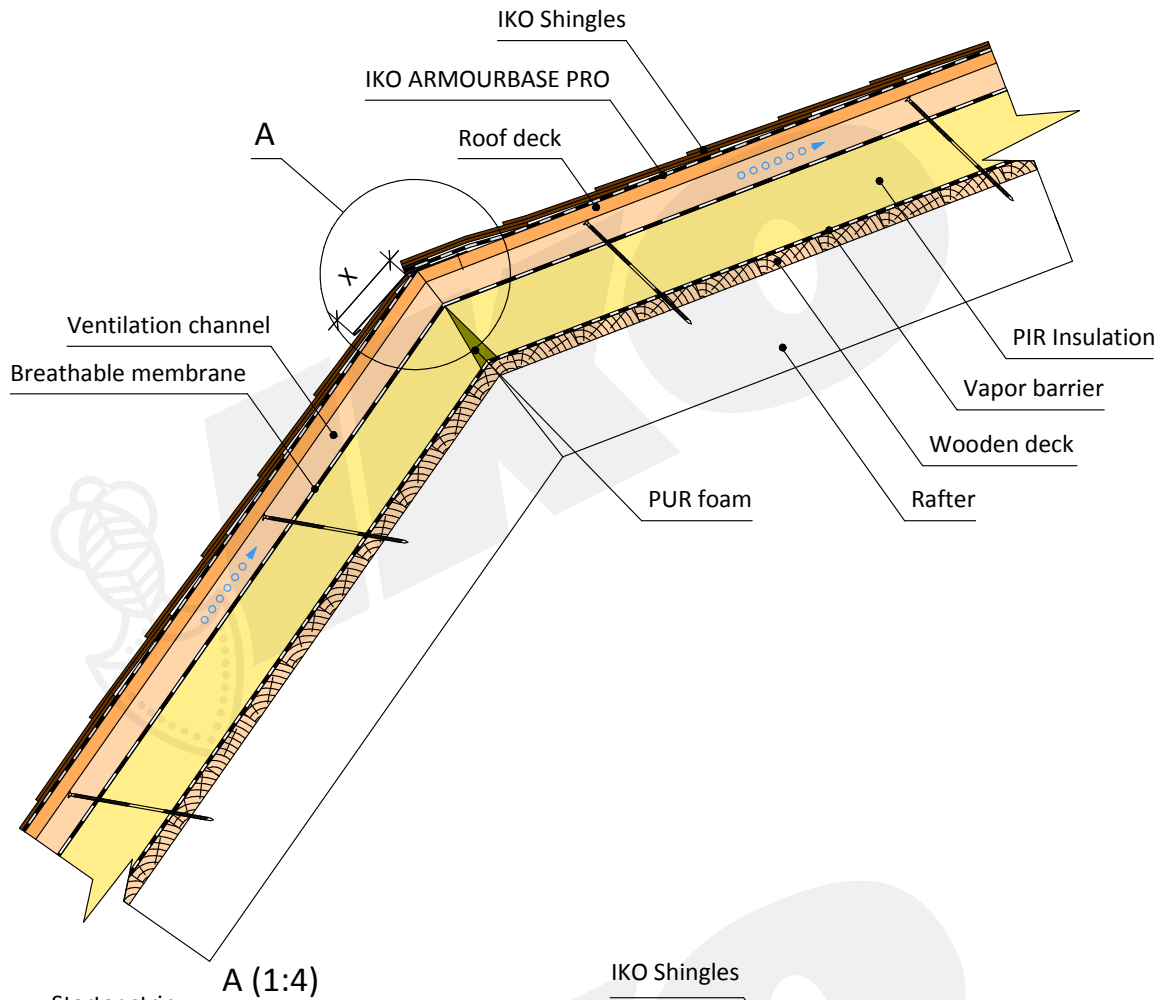


A (1:4)

X - min 120, should be enlarge with a decreasing angle of a slope and/or requirements of local codes

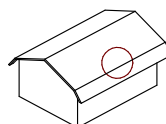
CHANGE IN A ROOF SLOPE		DESIGN SCALE 1:10	
---------------------------	---	-------------------	--

12.3 Mansard roof (PIR insulation above rafters)



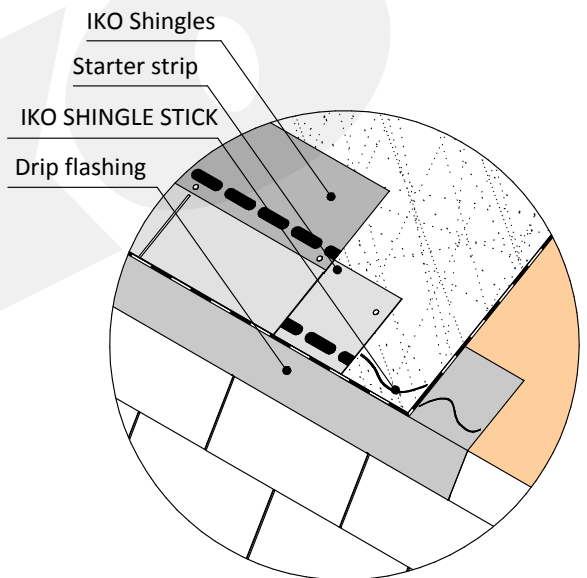
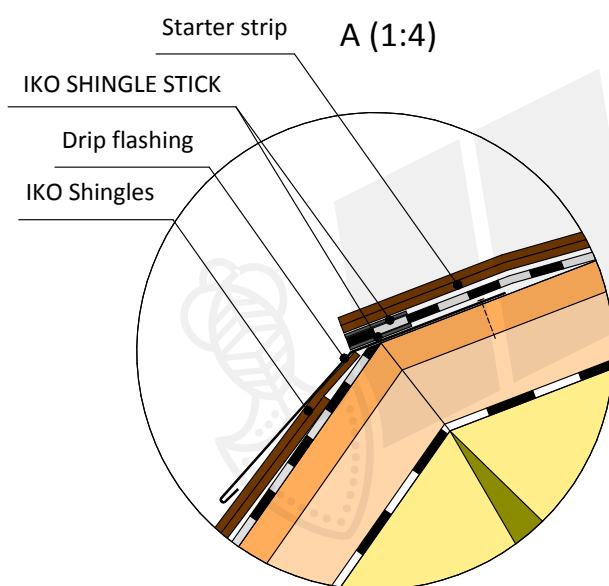
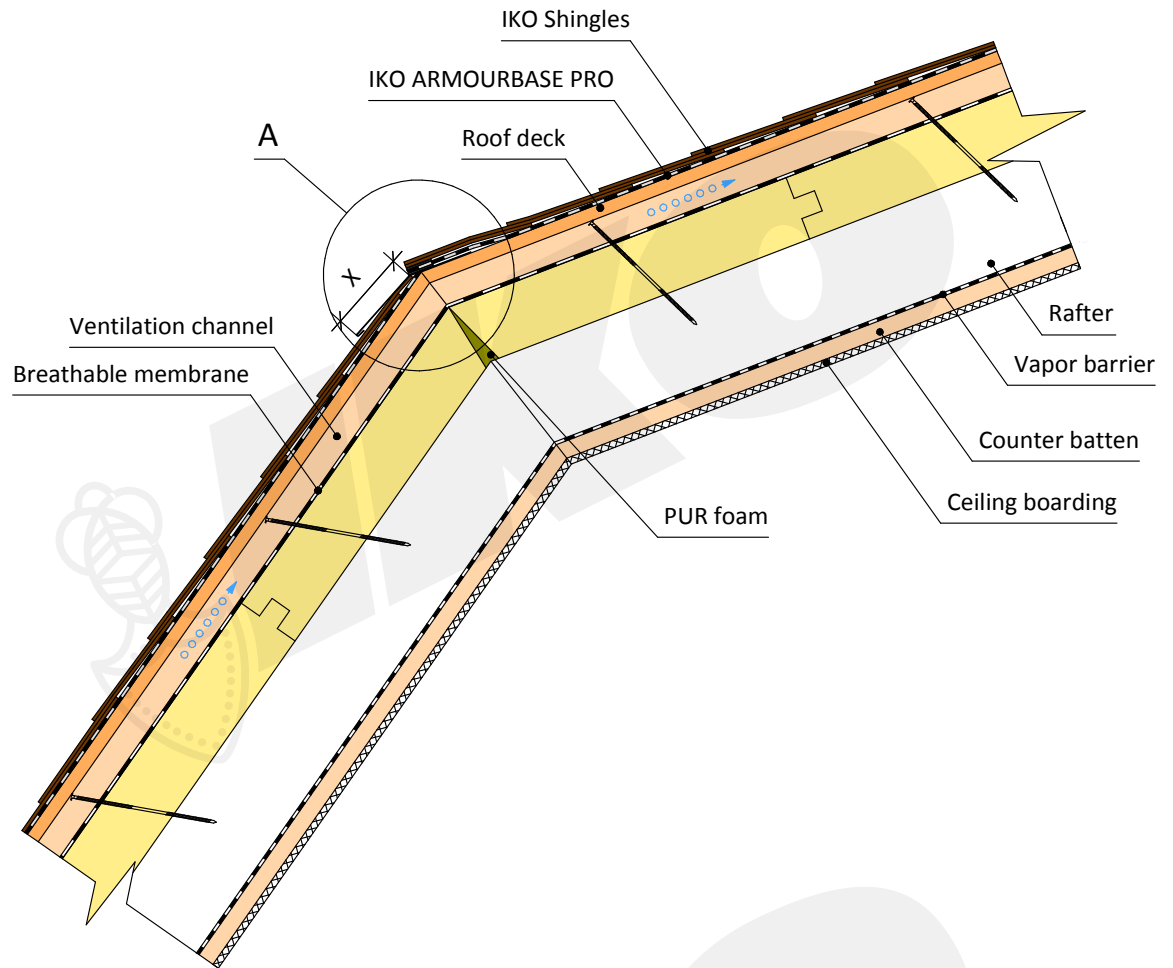
X - min 120, should be enlarge with a decreasing angle of a slope and/or requirements of local codes

MANSARD ROOF.
PIR INSULATION ON
SHEATHING

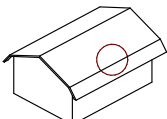


DESIGN SCALE 1:10

12.4 Mansard roof (PIR insulation above rafters)



X - min 120, should be enlarge with a decreasing angle of a slope and/or requirements of local codes

<p>MANSARD ROOF. PIR INSULATION ABOVE RAFTERS</p>		<p>DESIGN SCALE 1:10</p>	
---	---	--------------------------	--